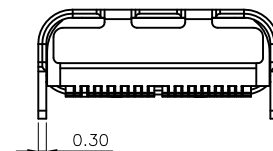
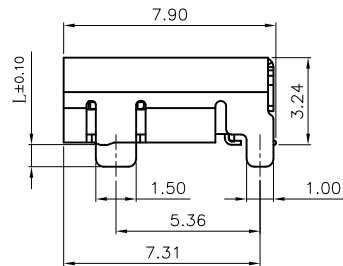
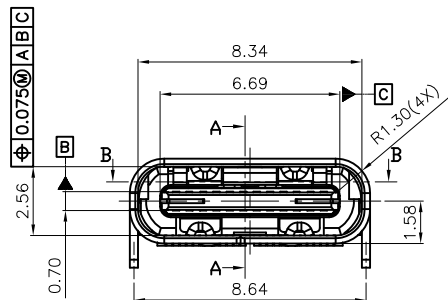
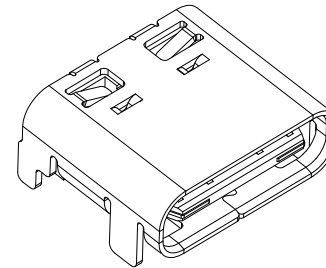
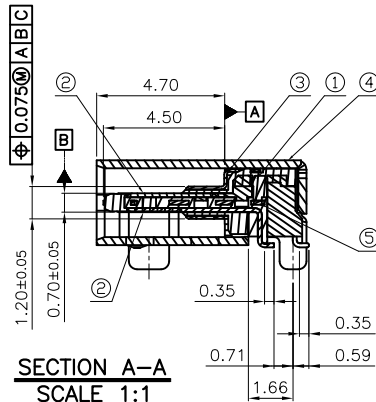
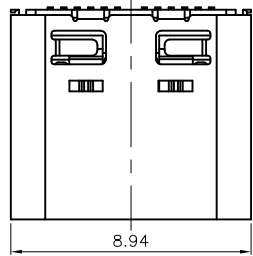
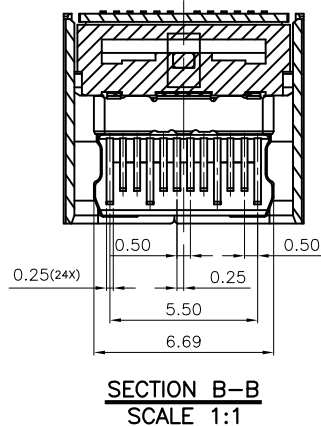
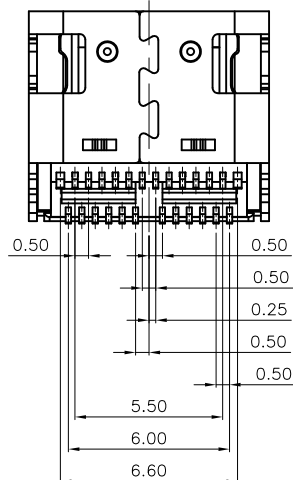
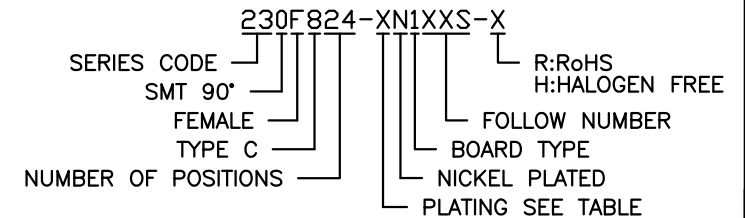


REV.	DESCRIPTION	DATE
A	RELEASE	July 06, 2018



PART NUMBER INFORMATION :

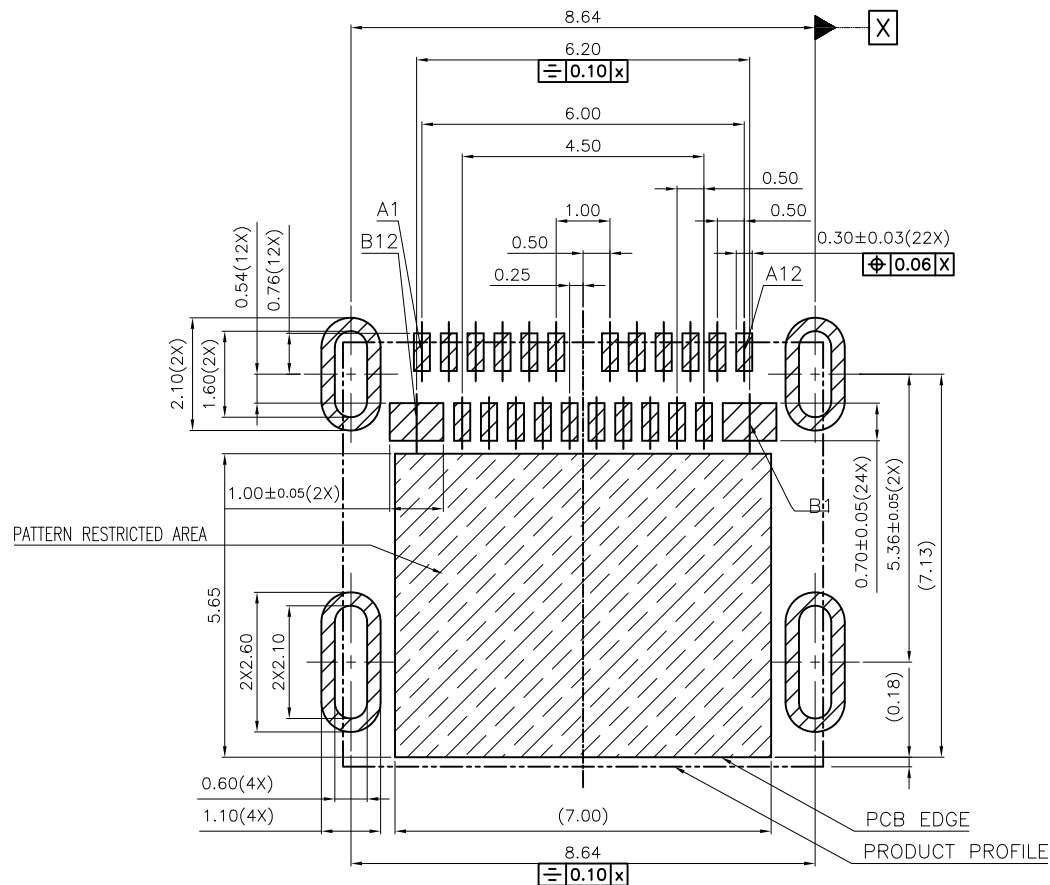


PART NUMBER	DIM"L"
230F824-XN105S-X	L=0.50
230F824-XN106S-X	L=0.80
230F824-XN107S-X	L=1.30

DESCRIPTION OF PLATING ON TERMINALS			
NO.	EXPLAIN	NO.	EXPLAIN
0	GOLD FLASH	3	GOLD 15u"
1	GOLD 5u"	4	GOLD 20u"
2	GOLD 10u"	6	GOLD 30u"

TOLERANCE .0=±0.35 .00=±0.20 .000=±0.05 ANG.=±3°	DRAWER <i>SL</i> CHECK <i>SL</i> APP'D <i>SLWX</i>	INMO 东莞市英墨电子有限公司 INMO Electronics Co.,Ltd NAME TYPE C 24PIN L=7.9 板上
UNITS : mm	PRODUCT SPEC. —	
SCALE NONE	SIZE A4	DRAW NO. R230F824-XN105(06,07)S-X
SHEET 1 OF 3	REV. A	

REV.	DESCRIPTION	DATE
A	RELEASE	July 06, 2018



RECOMMEND PCB LAYOUT
TOLERANCE: ±0.05
TOP VIEW

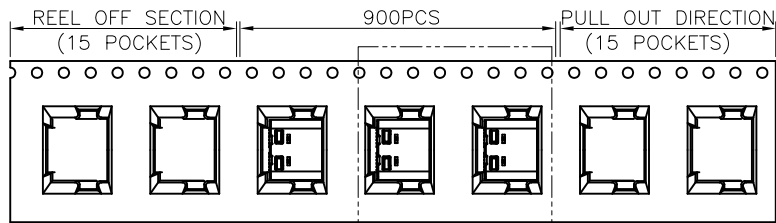
- NOTE:**
- MATERIAL SPECIFICATION:**
 - HOUSING: HIGH TEMPERATURE RESISTANT PLASTIC, WITH 30% GLASS FILLED, UL94 V-0 BLACK.
 - CONTACTS: COPPER ALLOY
 - EMI SPRING: STAINLESS STEEL
 - FRONT SHELL: STAINLESS STEEL
 - MIDDLE BLADE: STAINLESS STEEL
 - PLATING SPECIFICATION:**
 - CONTACTS:
 - 50μ" MIN. UNDER PLATED OVER ALL.
 - 30μ" Au PLATED ON THE FUNCTIONAL AREA OF CONTACT.
 - Au GOLD FLASH PLATED ON SOLDER AREA.
 - EMI SPRING: CLEANING ONLY
 - FRONT SHELL:
 - 50μ" MIN. UNDER PLATED OVER ALL.
 - MIDDLE BLADE:
 - 40μ" MIN. UNDER PLATED OVER ALL.
 - TIN 80μ" Min PLATED ON SOLDER AREA.
 - MECHANICAL PERFORMANCE,**
 - INSERTION FORCE: 0.5~2.0kgf.
 - REMOVAL FORCE: 0.8kgf~2.0kgf.
 - DURABILITY: 10000 CYCLES.
 - ELECTRICAL PERFORMANCE,**
 - CURRENT RATING: 5.0A
VOLTAGE RATING: 5.0V
 - LLCR:
 - VBUS & GND PINS AND OTHER PINS: 40mA/PIN MAX.
 - SHIELD: 50mA/MAX.
 - LLCR MAX. CHANGE OF ALL PINS: 10mA
 - INSULATION RESISTANCE: 100MΩ MIN
 - DIELECTRIC WITHSTAND VOLTAGE, AC 100V FOR 1 MINUTE.
 - ENVIRONMENTAL PERFORMANCE:**
 - OPERATING TEMPERATURE: -25°C~+85°C.
 - IR REFLOW:**
 - THE PEAK TEMPERATURE ON THE BOARD SHALL BE MAINTAINED FOR 10 SECONDS AT 260°C.

PIN ASSIGNMENT

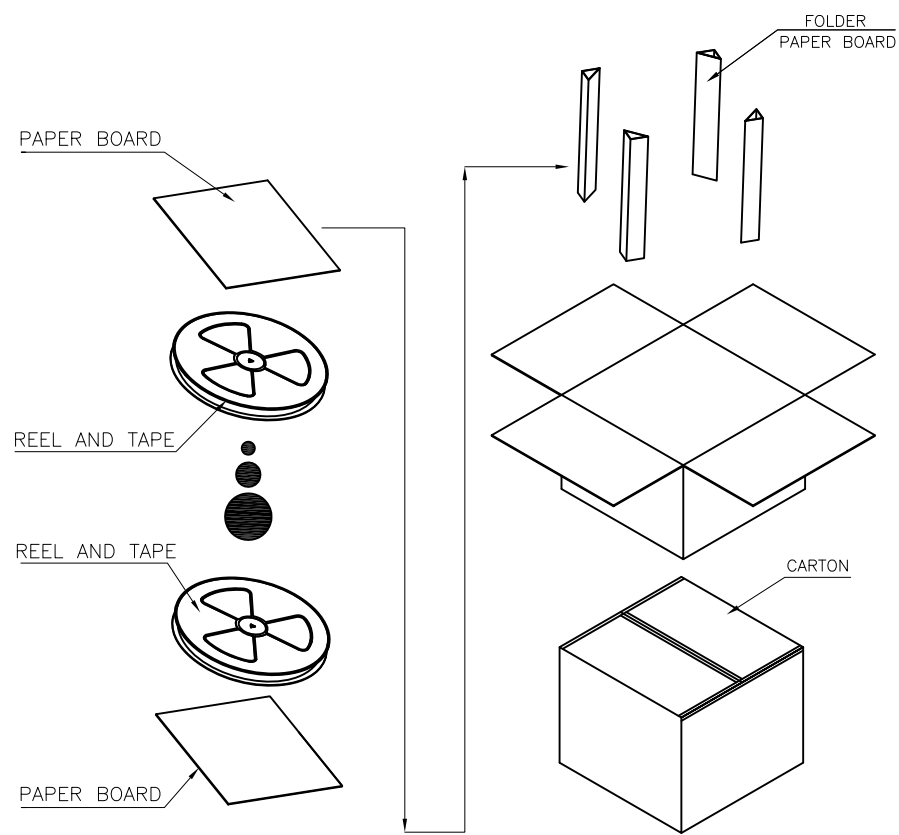
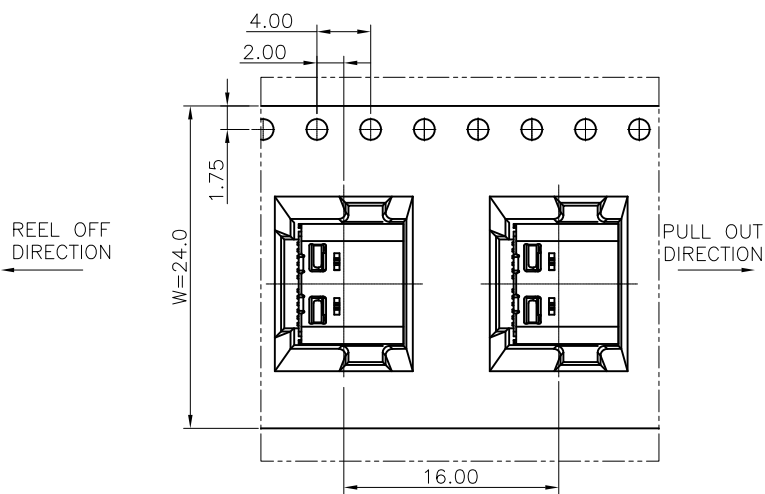
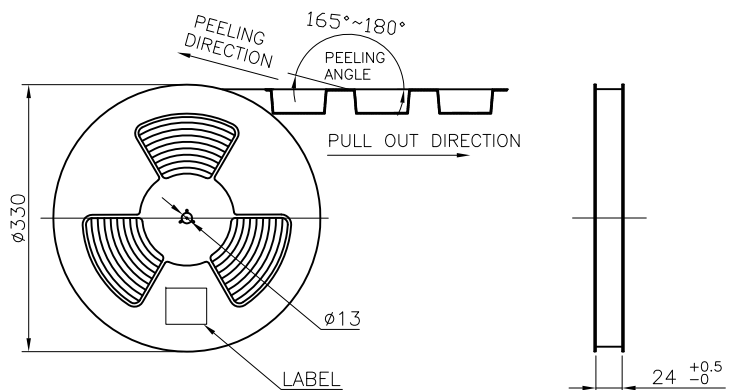
A1	A2	A3	A4	A5	A6	A7	A8	A9	A10	A11	A12
GND	TX1+	TX1-	VBUS	CC1	D+	D-	SBU1	VBUS	RX2-	RX2+	GND
GND	RX1+	RX1-	VBUS	SBU2	D-	D+	CC2	VBUS	TX2-	TX2+	GND
B12	B11	B10	B9	B8	B7	B6	B5	B4	B3	B2	B1

TOLERANCE .0=±0.35 .00=±0.20 .000=±0.05 ANG.=±3°	DRAWER <i>SL</i> CHECK <i>SL</i> APP'D <i>SLWX</i>	INMO 东莞市英墨电子有限公司 INMO Electronics Co.,Ltd
	PRODUCT SPEC. —	NAME TYPE C 24PIN L=7.9 板上
UNITS : mm	SCALE NONE	DRAW NO. R230F824-XN105(06,07)S-X
SIZE A4	SHEET 1 OF 3	REV. A

REV.	DESCRIPTION	DATE
A	RELEASE	July 06, 2018



SEE DETAIL X



TOLERANCE .0=±0.25 .00=±0.15 .000=±0.05 ANG.=±3°		DRAWER <i>SL</i>		INMO 东莞市英墨电子有限公司 INMO Electronics Co.,Ltd	
CHECK <i>SL</i>		APP'D <i>SLWX</i>			
		PRODUCT SPEC. —		NAME TYPE C 24PIN L=7.9 板上	
UNITS : mm		SCALE NONE SIZE A4		DRAW NO. R230F824-XN105(06,07)S-X	
CONNECTOR (PCS)	REEL	CARTON	SHEET	REV.	
	900	9000	3 OF 3	A	

CONNECTOR (PCS)	REEL	CARTON
	900	9000